

# AXIS


Revision 0

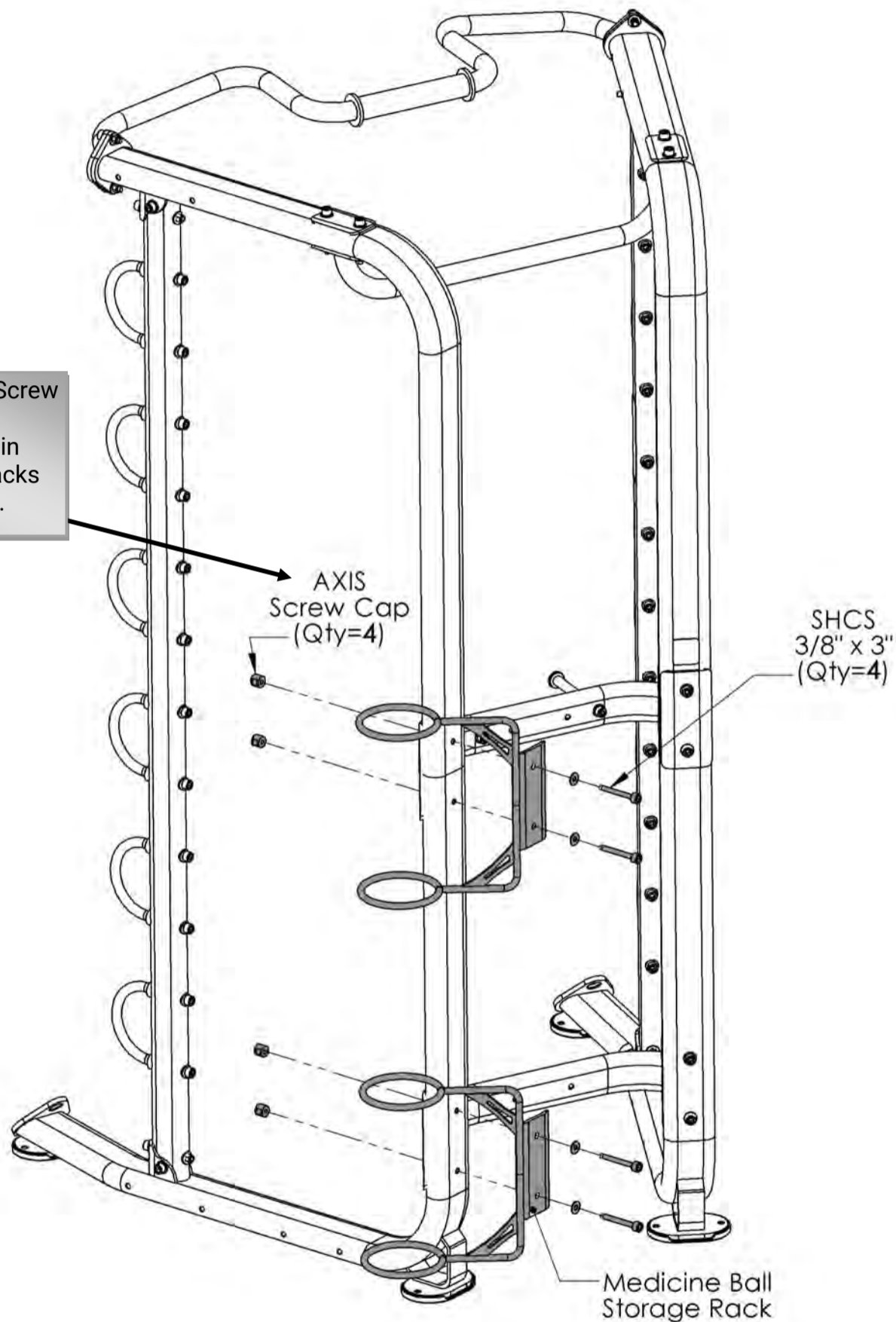
June 2018

## Optional Med Ball Storage

### Assembly Instructions

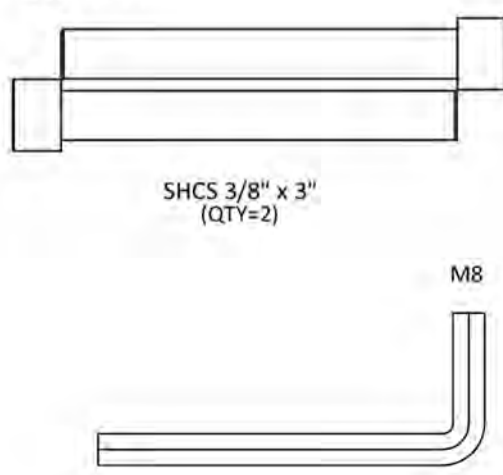
*\*Pictured with two individually sold  
Optional Med Ball Storage Racks*

 The chrome AXIS Screw Caps and 3/8" Flat Washers are packaged in the Hardware Blister Packs for the Main AXIS Units.



#### Hardware Blister Pack

##### Step 1:



*\*Hardware listed is for one Optional Med Ball Storage Rack*

Part #	Description	Qty
BFM-11147	Medicine Ball Storage Rack	1
BFH-50323	FHSCS 3/8" x 3"	2