



FUSION

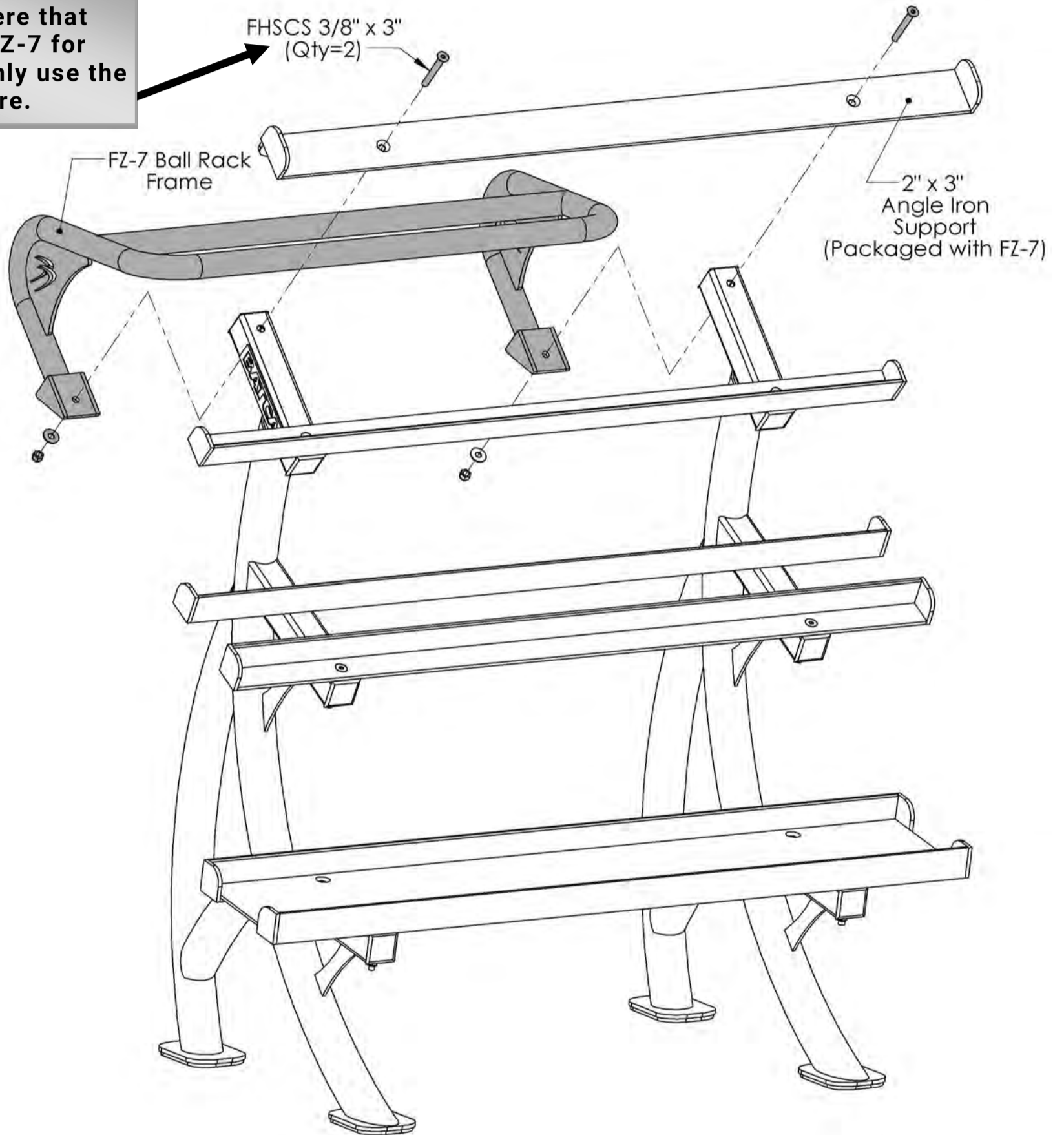
F R E E W E I G H T / B O D Y W E I G H T

Revision 0
June 2018

FZ-7 Optional Ball Rack

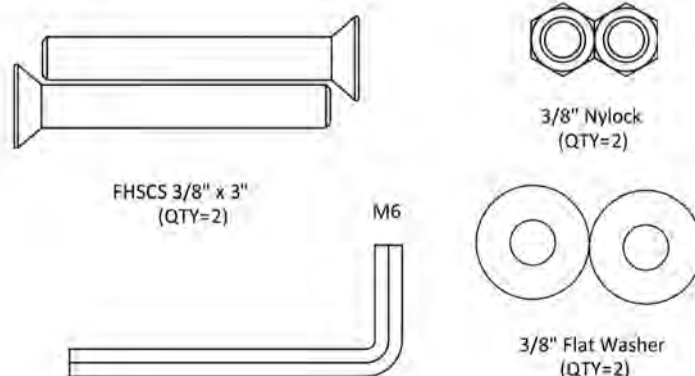
FZ-7BR

! Do not use the FHSCS 3/8" x 2 3/4" here that was sent with the FZ-7 for this step. Please only use the FHSCS 3/8" x 3" here.



Hardware Blister Pack

Step 1:



Part #	Description	Qty
BFM-11156	FZ-7 Ball Rack Frame	1
BFH-50323	FHSCS 3/8" x 3"	2
BFH-50146	3/8" Flat Washer	2
BFH-50157	3/8" Nylock	2



www.batcafitness.com

FZ-7BR Optional Ball Rack