



FZ-7 Optional Kettlebell Rack

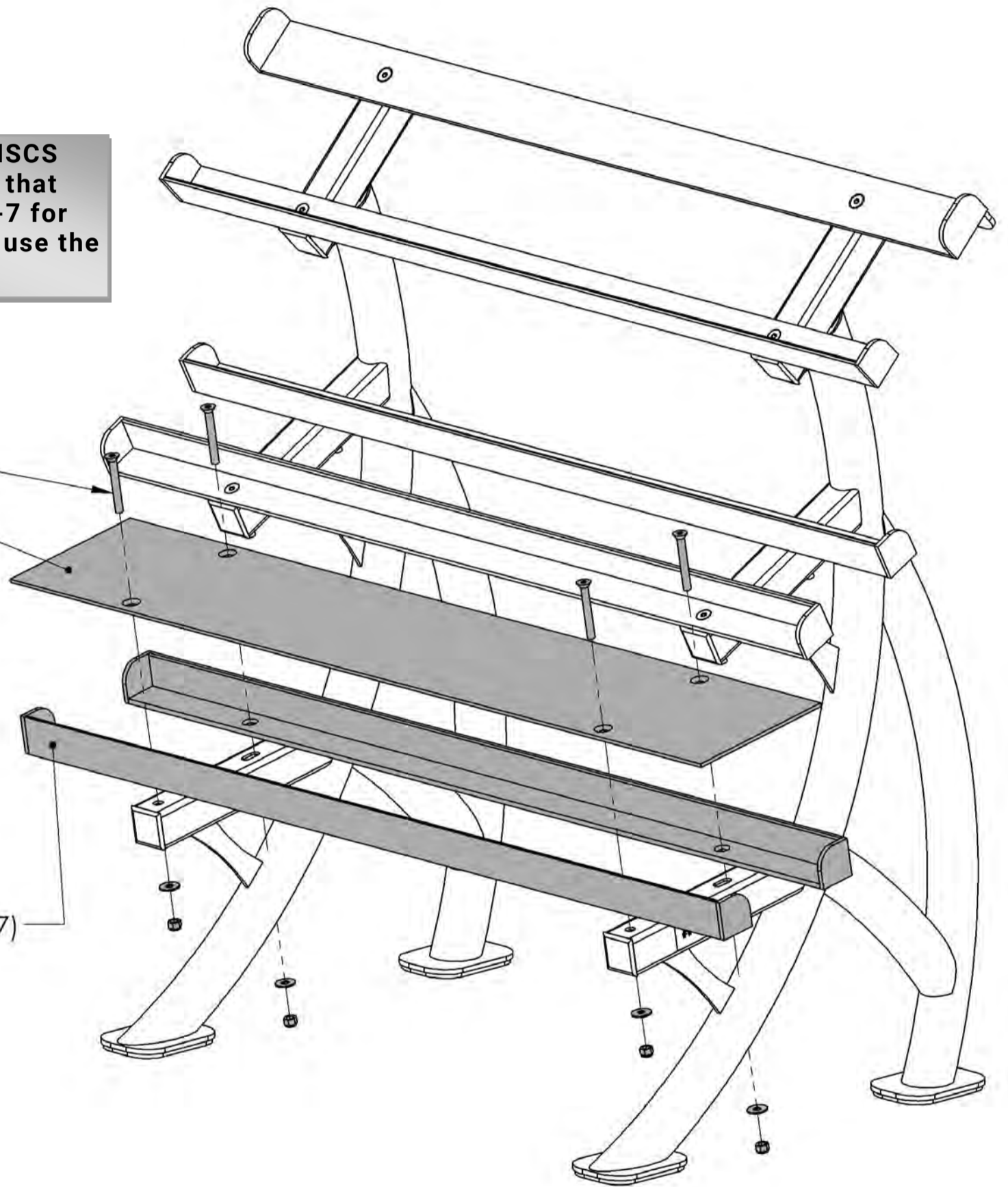
FZ-7KB

! Do not use the FHSCS 3/8" x 2 3/4" here that were sent with the FZ-7 for this step. Please only use the FHSCS 3/8" x 3" here.

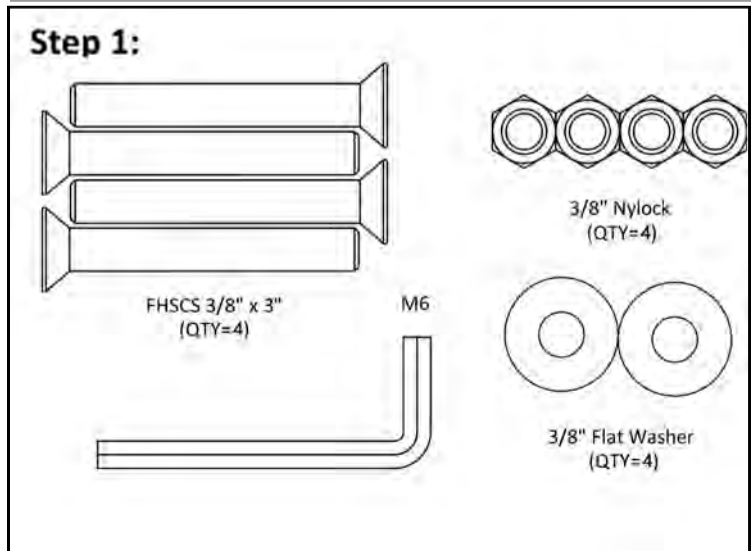
FHSCS 3/8" x 3"
(Qty=4)

Shelf Plate

2" x 2"
Angle Iron
Support
(Qty=2)
(Packaged with FZ-7)



Hardware Blister Pack



Part #	Description	Qty
BFM-52797	Shelf Plate	1
BFH-50323	FHSCS 3/8" x 3"	4
BFH-50146	3/8" Flat Washer	4
BFH-50157	3/8" Nylock	4